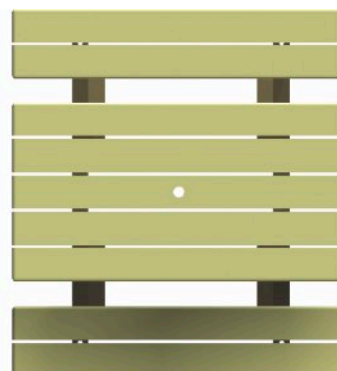




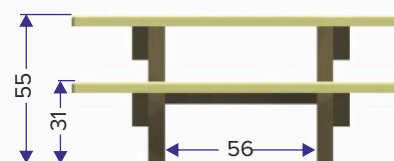
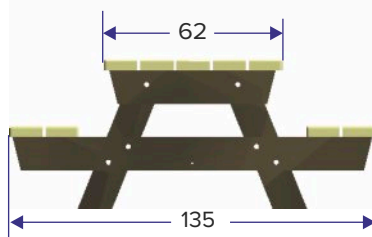
+/- 73 kg



Only for use with parasol posts diameter 45 to 48 mm  
(By using smaller parasols, there will be the risk of finger entrapment)

**!** NO parasol use during heavy wind ...

According to EN1176, this picnic table is not considered as being a play equipment. Therefore, a TÜV-certificate is not required.



### Material

- Solid posts and planks made of recycled plastic (PE), coloured throughout.
- Stainless steel screws and lock bolts

### Mounting

The Picnic table GP16 is delivered fully assembled. Anchorage is possible.

### Description

The picnic table consists of 2 A-shaped legs made of 4 x 12 cm beams on which the table top and the two seats are mounted. The seat consists of two 4 x 12 x 120 cm boards. The table top consists of five 4 x 12 x 120 cm boards. Between the A-shaped table legs, a 4 x 12 cm beam is mounted. A hole of 50 mm for a parasol post is provided in the middle of the table (suited for parasol posts with diameter of 45 to 48 mm).

### Anchorage

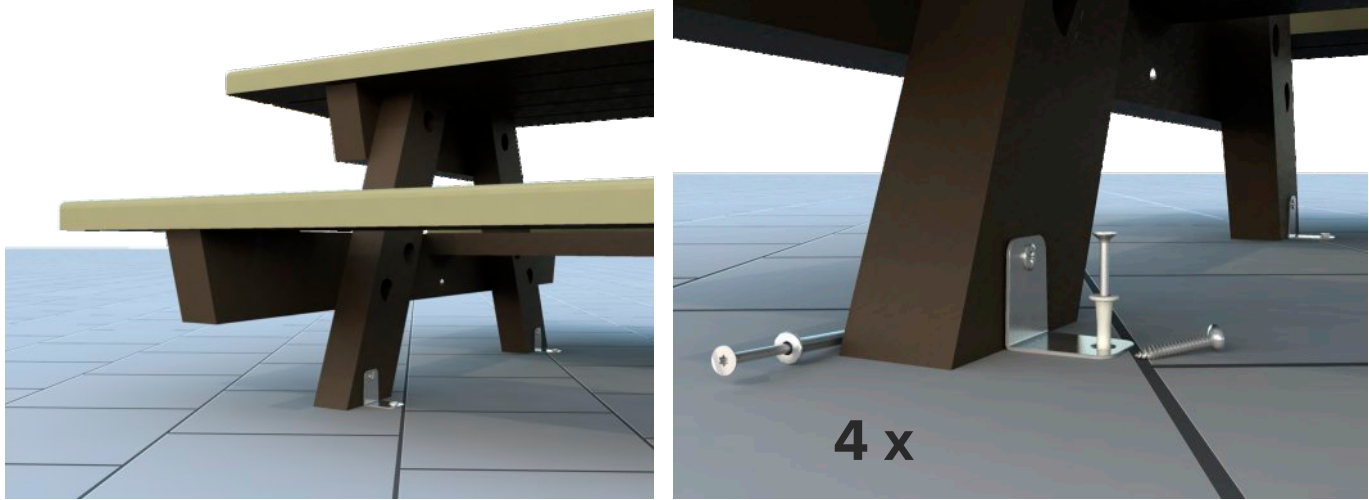
The picnic table GP 16 is freestanding or to be anchored on a hard surface. The table GP16b has extended legs which are to be anchored in a loose ground (grass, ...) using sand-cement mixture or concrete.

100% recycled material



### Anchorage on a hard and flat surface.

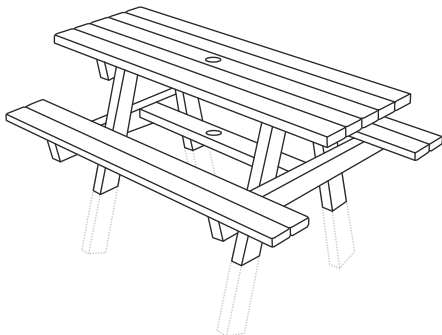
Screw the 4 enclosed brackets onto the bottom of the table legs and fix them into the ground by means of the nail plugs. It is recommended to pre-drill the holes in the legs using a wood or metal drill bit of 4 mm. The holes into the surface need to be drilled with a masonry drill bit of 8 mm.



### Important suggestion

To drill the holes in the ground, use a sharp drill and just put the plastic plug into the hole. It is better to screw the nail into the plug than to hammer. This way, you don't damage the head of the nail and unfixing will be easy.

The picnic table GP16b is to be anchored. It has extended legs (40 cm longer) which need to be anchored into the ground using concrete or a sand-cement mixture.



For safety reasons, it is recommended to respect at least 10 cm between the top of the anchorage (concrete) and the ground level. Required volume of concrete per table leg: +/- 0,15m<sup>3</sup>