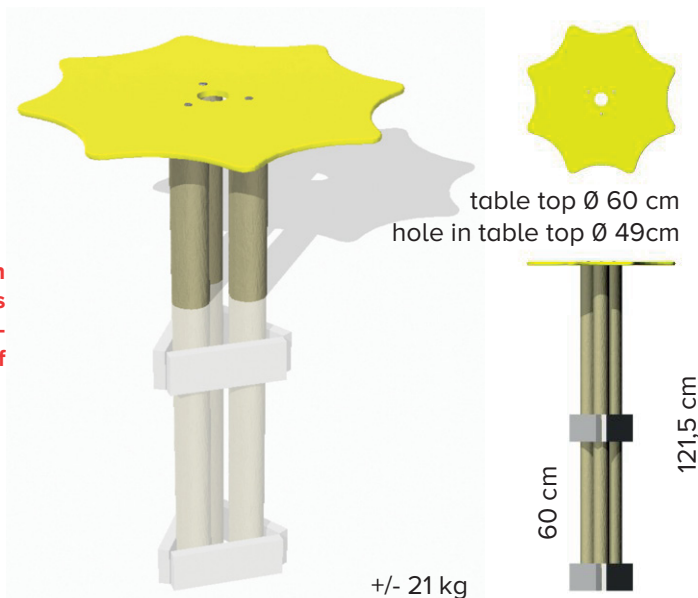




! Only for use with standard sized parasols with round pole, diameter 45 to 48 mm. Parasol poles with smaller diameter can slip through the openings of the parasol table or can pose a risk of finger entrapment between pole and opening)

! Do not use parasols in case of strong winds.

This item is TÜV certified.



Mounting

The equipment is delivered fully assembled and requires no extra mounting.

Material

- Solid brown posts made of recycled plastics (PE) coloured throughout (diameter 8 cm)
- Stainless steel screws 6 and 8 mm
- Yellow plastic sheet (PE) 12.5 mm thickness

Maintenance

The table contains no moving parts. The plastic material requires very little maintenance, that is cleaning with soapy water and a sponge or soft brush and rinsing with water to remove dirt and soap. As the materials' water absorption is less than 0.29%, it will not get stained by oil, grease or other products. Moss and algae will not adhere easily and can easily be removed. Cleaning with high-pressure (max. 100 bar) is possible but not recommended and mostly even not necessary. Spray with a fan-shaped jet with minimum 30 cm distance from the surface. Painting or staining is useless as the material does not need extra protection and moreover the paint will not stick to the plastic.

Use

Test the parasol pole before using it. If the diameter is too small, the parasol risks to fall over. Do not use parasols in case of strong winds, not even when the parasol base is well anchored.

Inspection Requirements

Visual inspection:

Weekly or monthly, depending on the intensity of use.

Functional:

Monthly or four-monthly, depending on the intensity of use.

Detailed inspection:

Yearly

Special attention during functional or detailed inspection:

- Check all parts are tight.
- Check worn, loose, damaged, missing parts.
- Check screws sticking out.
- Check anchoring.
- Vandalism?

Use original Govaplast parts when repairing is required, to ensure the TÜV certificate remains valid.

Installation

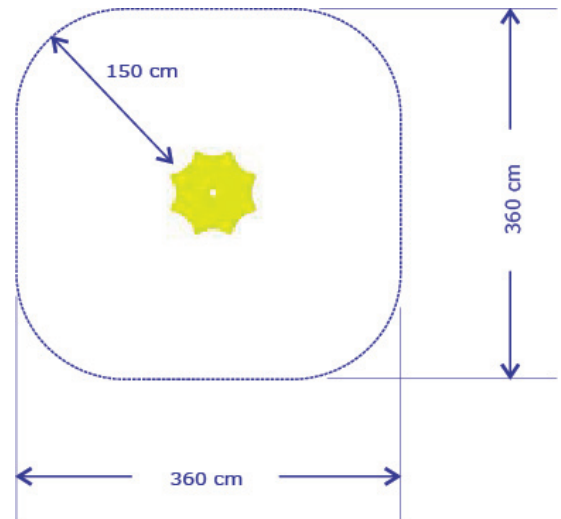
The equipment is delivered fully assembled and is anchored with stabilised sand.

Security Zone

An obstacle-free area of minimum 150 cm around the equipment.

No fall absorption surface required

The equipment's fall height is less than 60 cm. Therefore it's allowed to install it on a hard surface. But it is designed to be placed in a sandpit.



Anchoring in ground

The equipment is dug in until the level mark under the type plate.

Anchoring in sandpit

Anchoring is done as illustrated with conical foundation of stabilized sand. The level mark on the post indicates the ground level.

