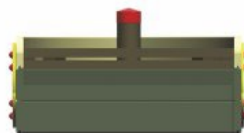
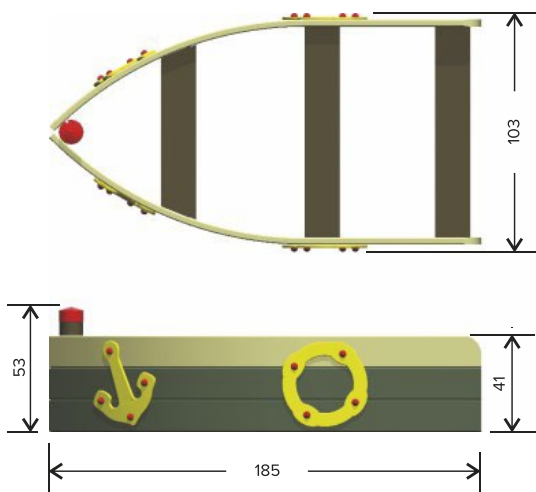


This item is TÜV certified.



+/- 85 kg



Mounting

The small boat is delivered fully assembled and requires no extra mounting.

Material

- Solid boards made of recycled plastics (PE) coloured throughout (beige, green, brown)
- Stainless steel screws (6 and 8 mm)
- Yellow and red plastic sheets (PE), 12,5 mm thickness

Maintenance

The small boat contains no moving parts. The plastic material requires very little maintenance, that is cleaning with soapy water and a sponge or soft brush and rinsing with water to remove dirt and soap. As the materials' water absorption is less than 0.29%, it will not get stained by oil, grease or other products. Moss and algae will not adhere easily and can easily be removed. Cleaning with high-pressure (max. 100 bar) is possible but not recommended and mostly even not necessary. Spray with a fan-shaped jet with minimum 30 cm distance from the surface. Painting or staining is useless as the material does not need extra protection and moreover the paint will not stick to the plastic.

Inspection Requirements

Visual inspection:

Weekly or monthly, depending on the intensity of use.

Functional:

Monthly or four-monthly, depending on the intensity of use.

Detailed inspection:

Yearly

Special attention during functional or detailed inspection:

- Check all parts are tight.
- Check worn, loose, damaged, missing parts.
- Check screws sticking out.
- Check anchoring on hard soil.
- Vandalism?

Use original Govaplast parts when repairing is required, to ensure the TÜV certificate remains valid.

Installation

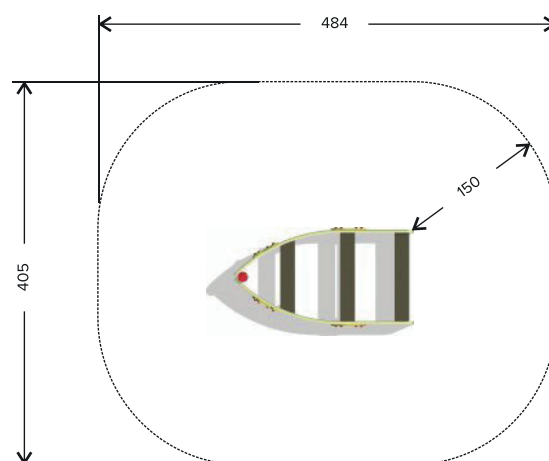
The installation needs to be done on a hard and even surface. The equipment cannot be installed on a loose surface such as a sandpit, wood chips, bark mulch, unless a special bearing construction is installed (not standard).

Security Zone

An obstacle-free area of minimum 150 cm around the equipment is required.

No fall absorption surface required

The equipment's fall height is less than 60 cm. Therefore it's allowed to install it on a hard surface.

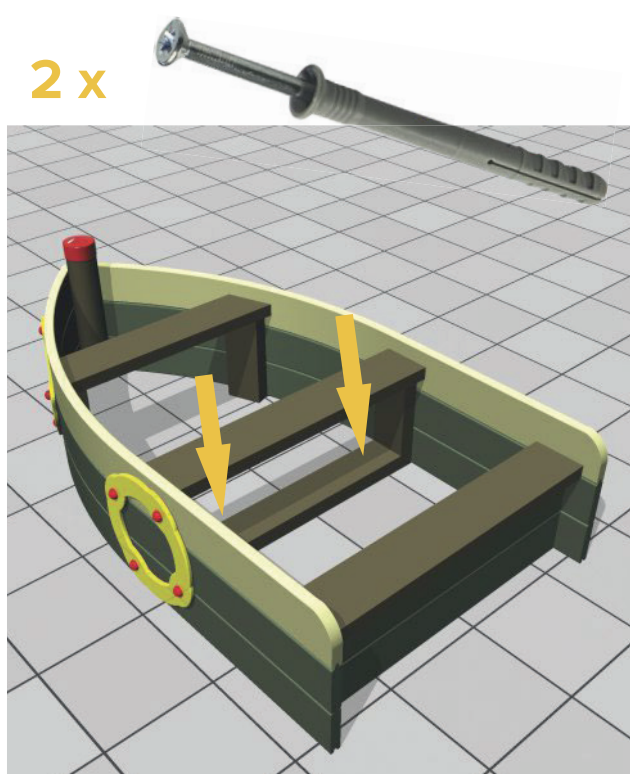


Anchoring or not?

According to the European standard, playground equipment needs to be anchored. Anchoring of this specific equipment is not required if installed on a school playground with supervision. In case the playground is only used by the school itself, the security risk due to not anchoring the equipment is relatively small. If there is no anchoring we definitely advise to mark the equipment's position on the playground in order to be able to place it back correctly after temporary relocation, respecting the required 150 cm obstacle-free area.

In case of anchoring:

The equipment is anchored with the 2 nail plugs supplied. Determine the exact position of the equipment, draw its outline with chalk and mark the position of the 2 pre-drilled holes for the nail plugs on the hard surface. Move the equipment. Drill the holes with a 8 mm stone drill. Move the equipment back in the right position and secure with the nail plugs. Use an angle screwdriver to facilitate screwing.



Important advice

To drill the holes use a sharp drill and first put the plastic part of the plug in the hole. Then screw the metal nail into the plug instead of hammering it. This way, you avoid damaging the head of the nail and unfixing will be easy.