

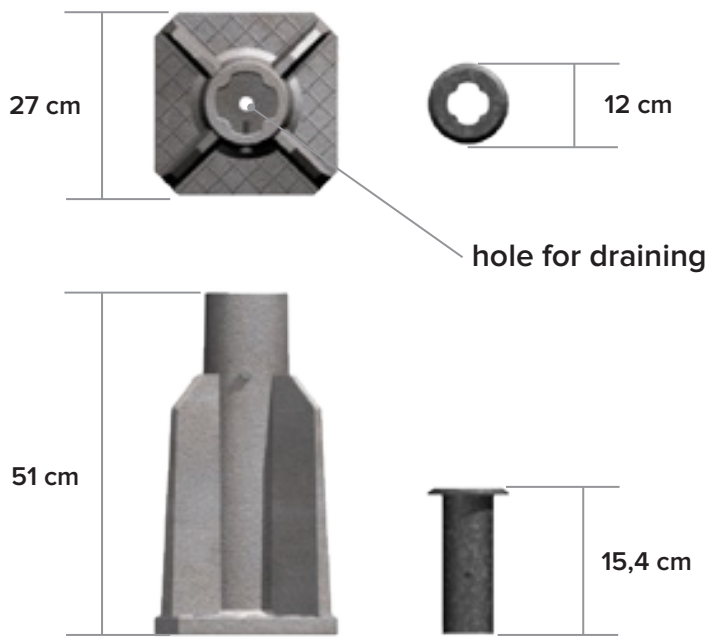


## Ground fixing sockets

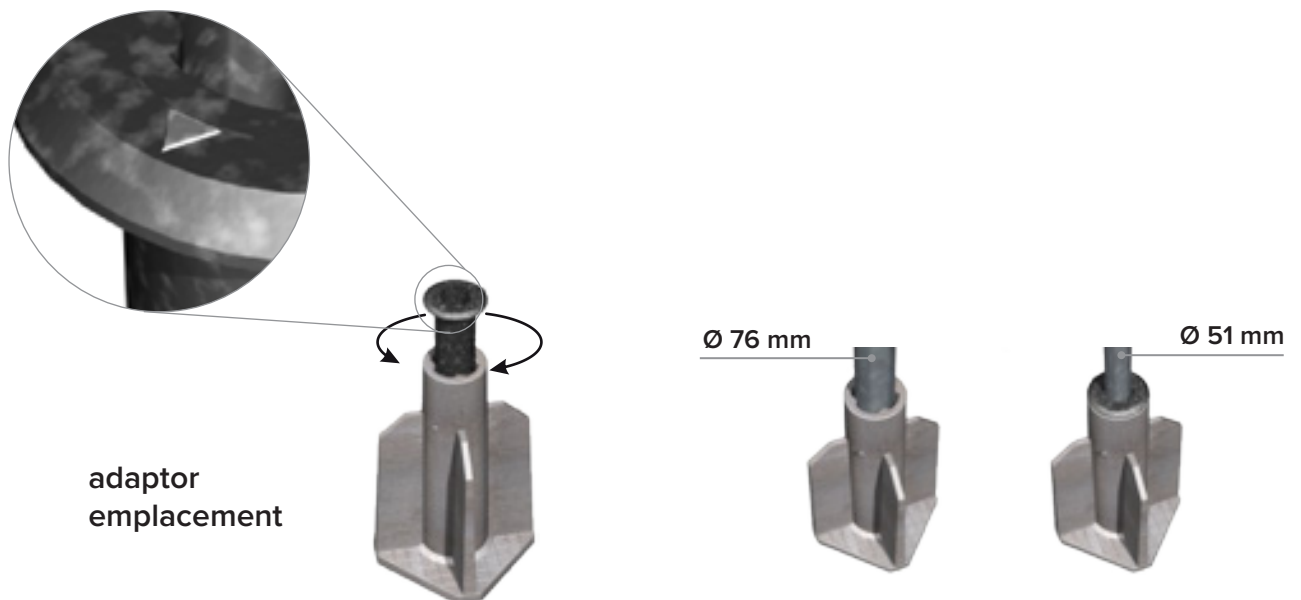


measurements

8,6 kg

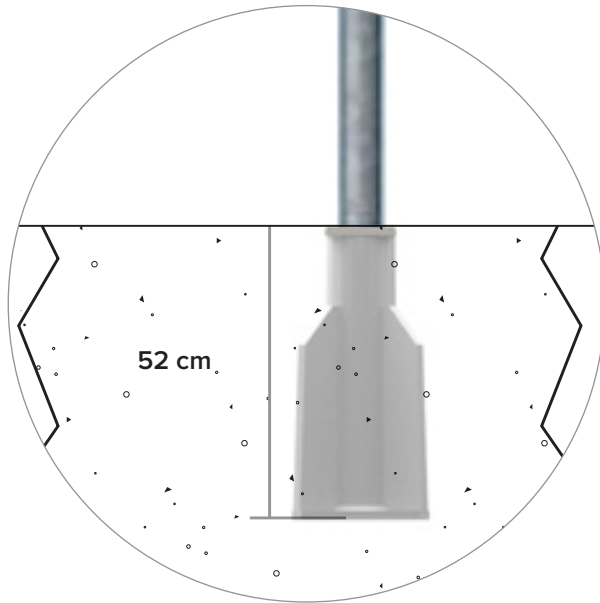


adaptor




## anchoring

---



## available colours

---

 raw finish

## main advantages

---



100% plastic waste



Maintenance free



Rot-proof



Natural texture



Much lighter than concrete



Splinter-free



Coloured throughout



Weatherproof



Completely recyclable